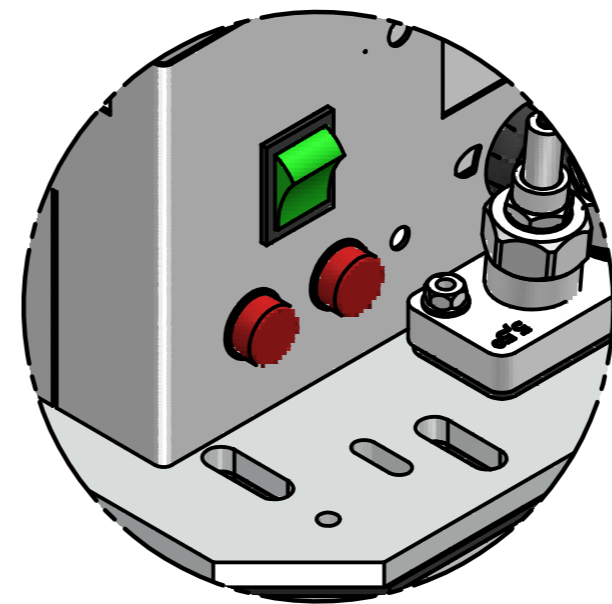
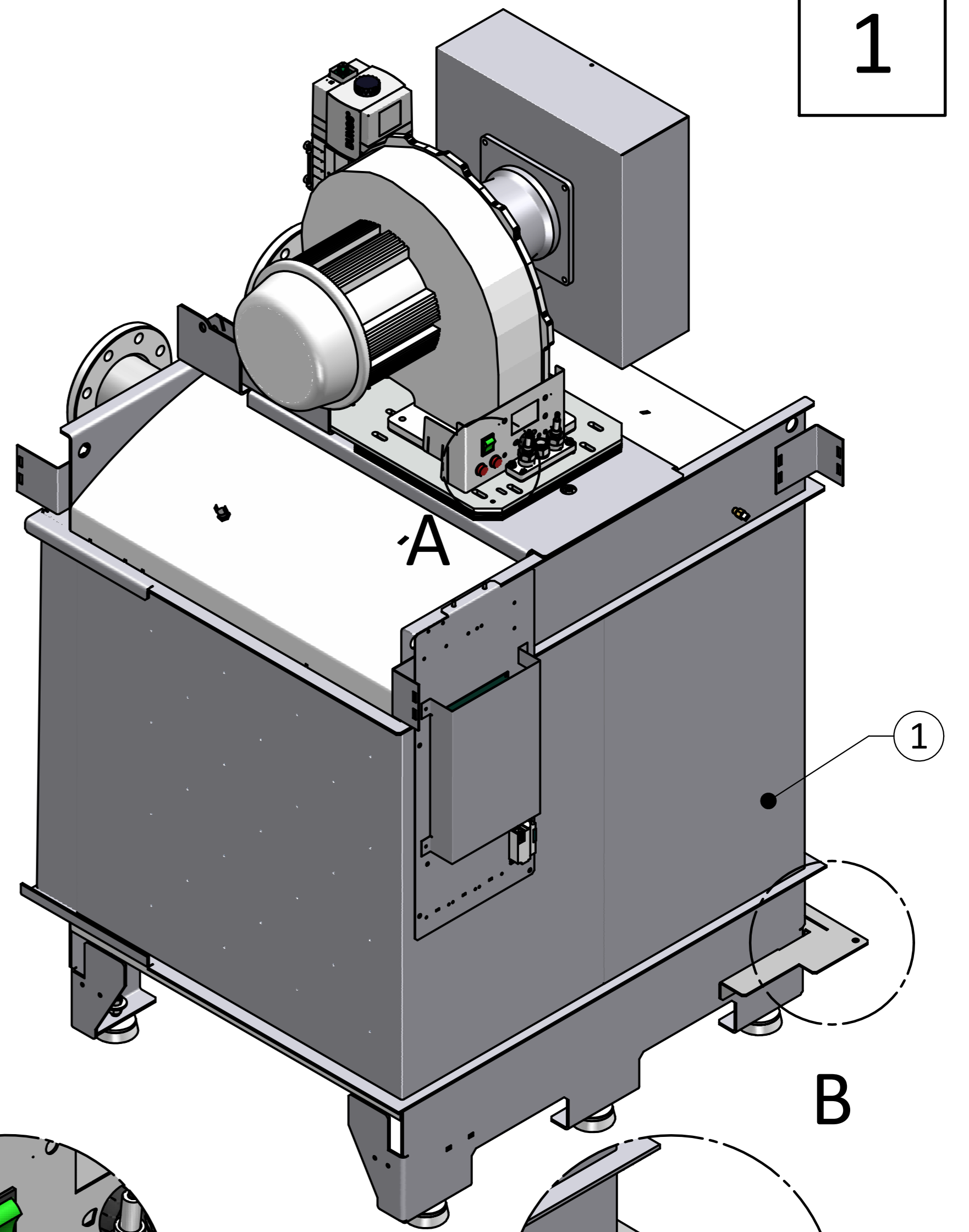
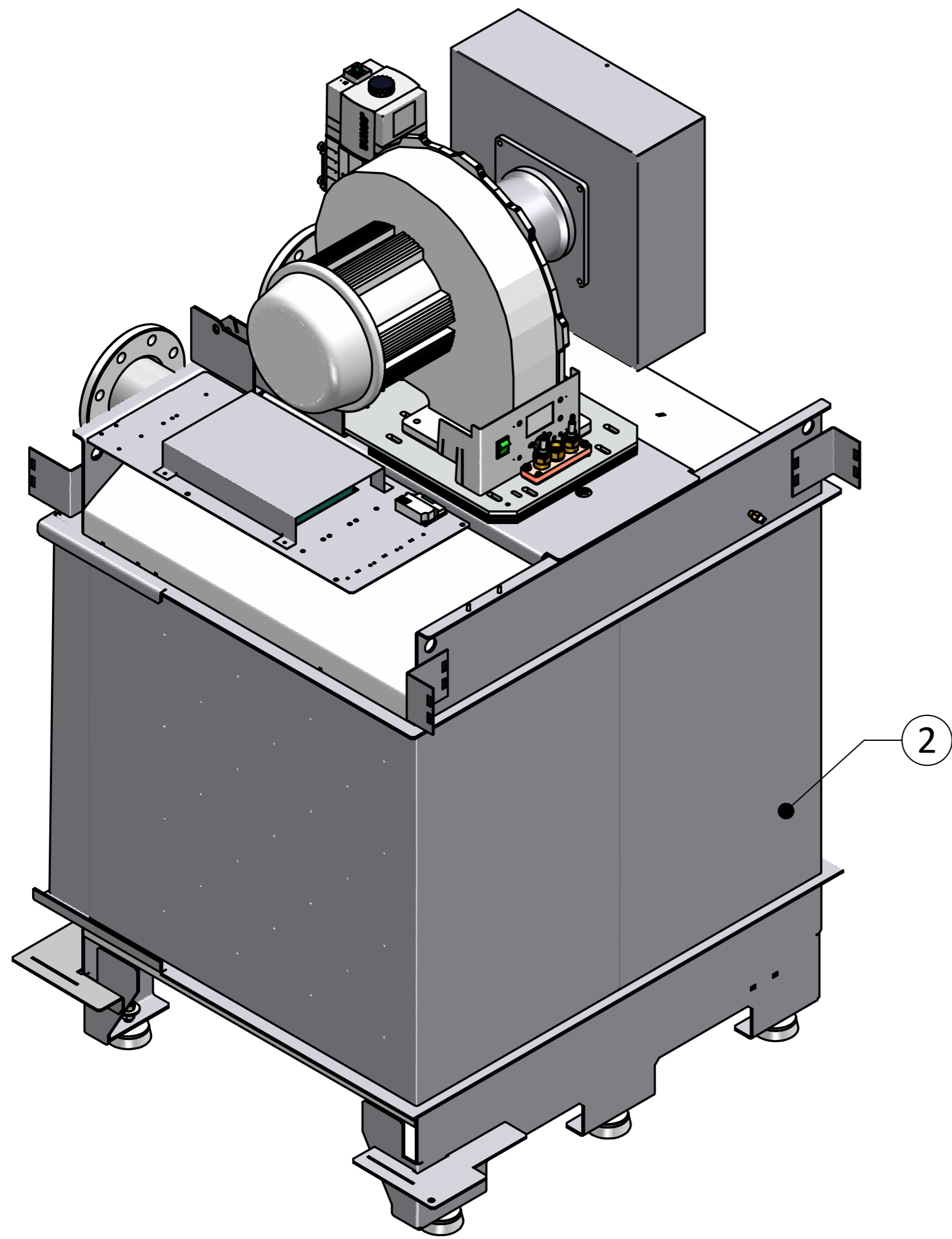
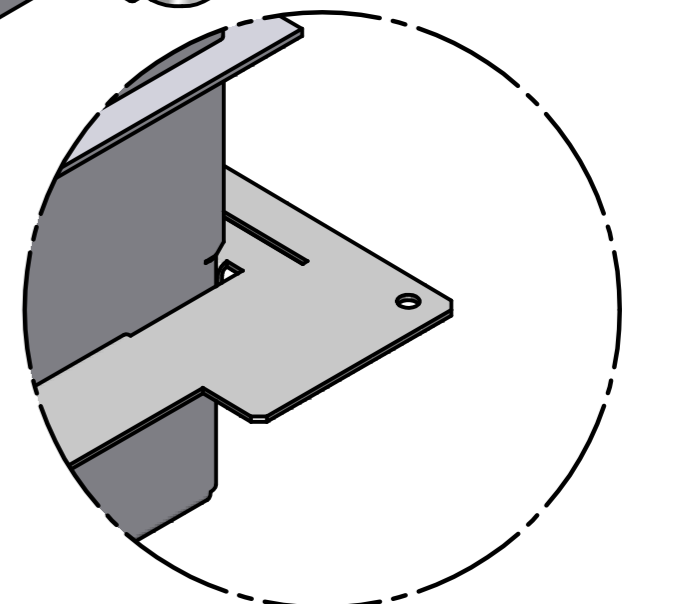


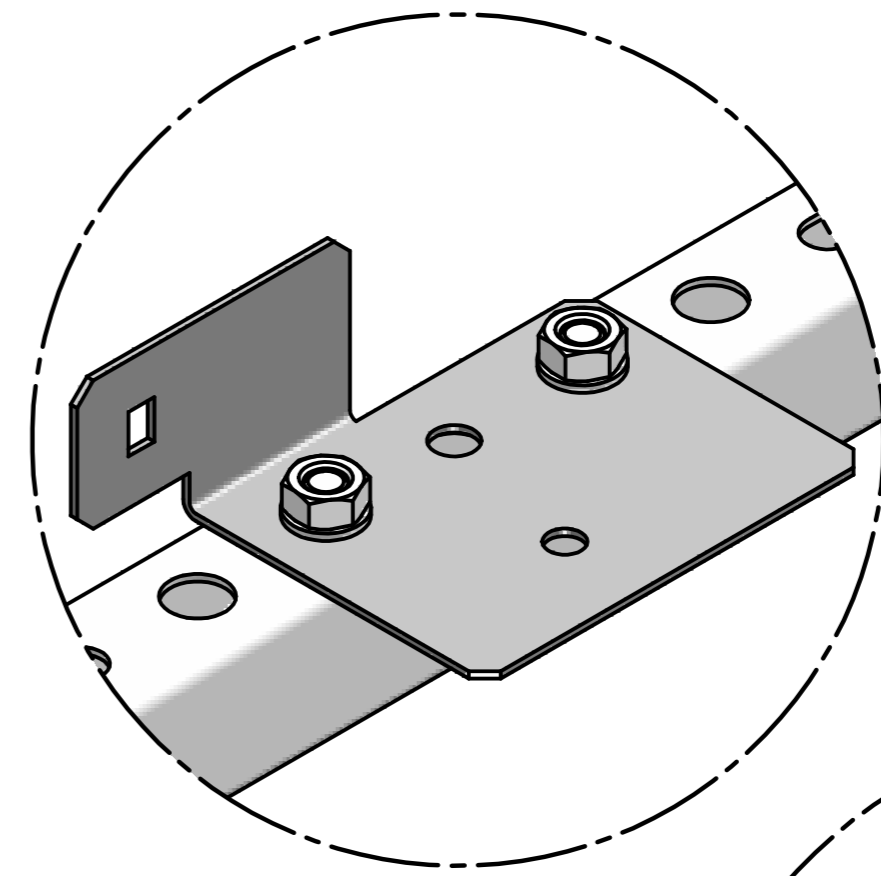
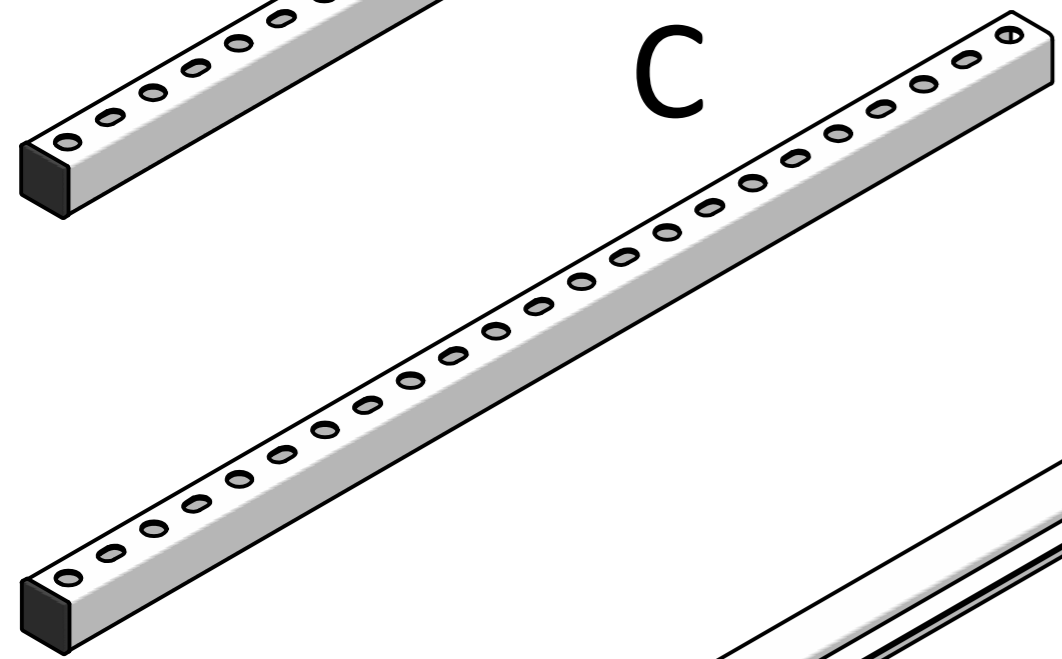
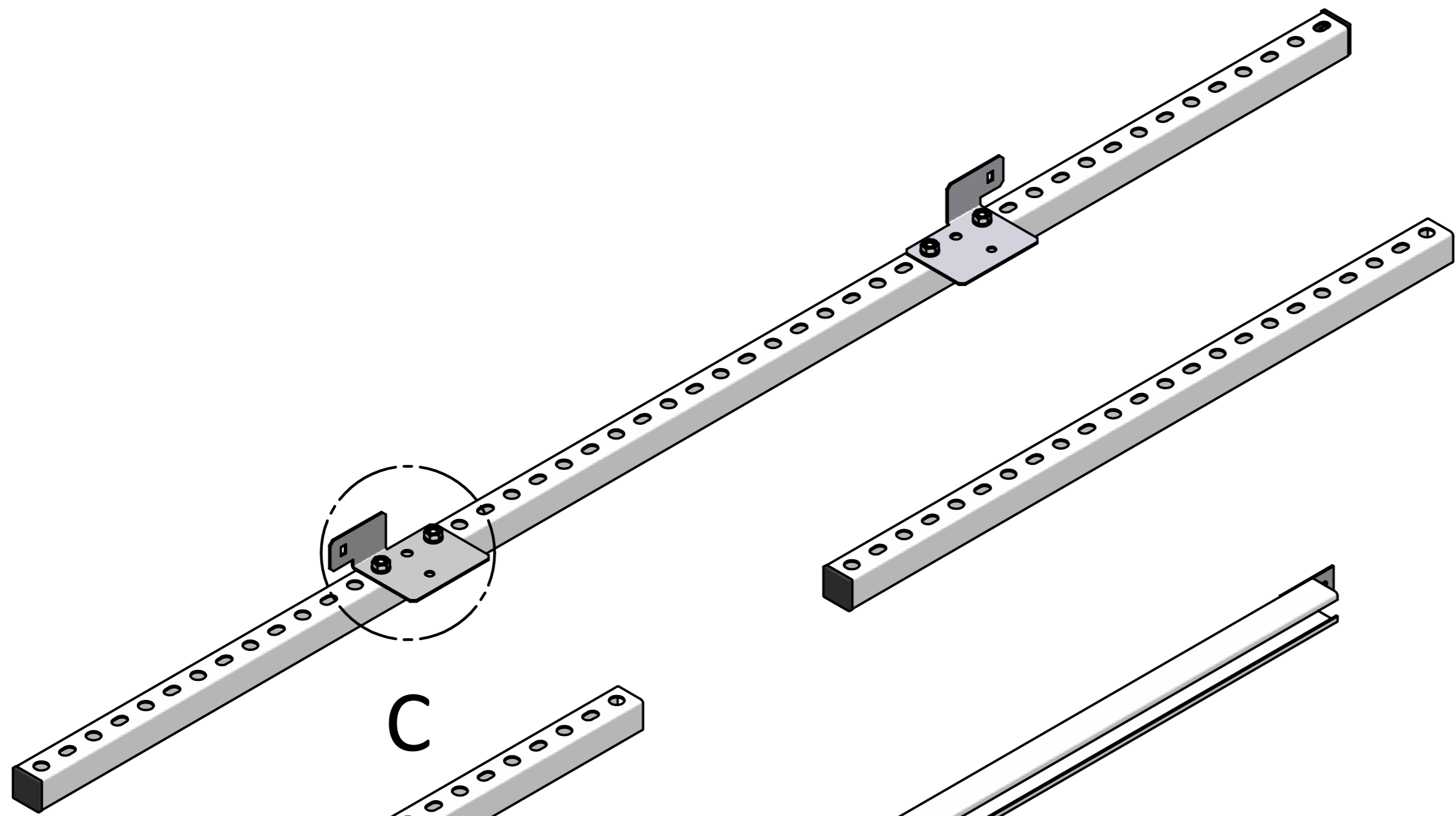
1



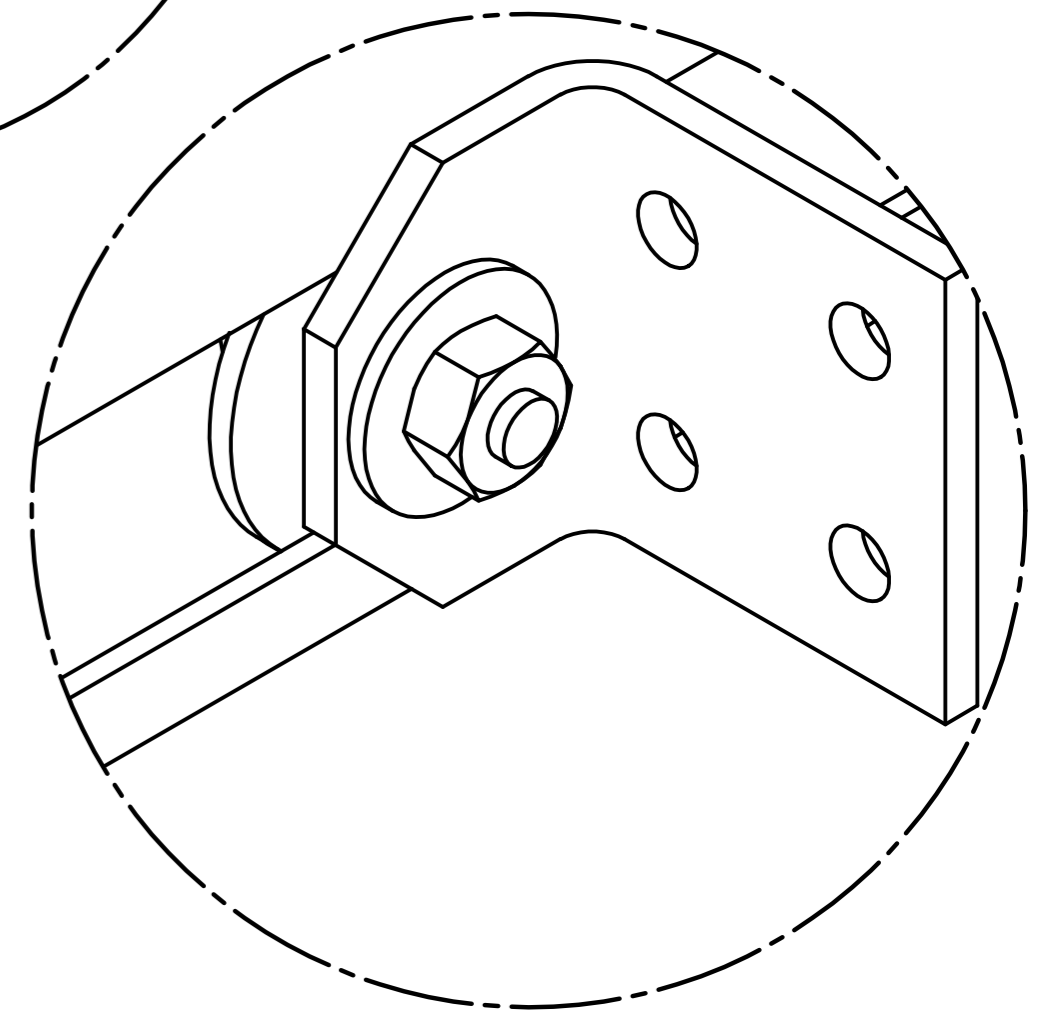
A



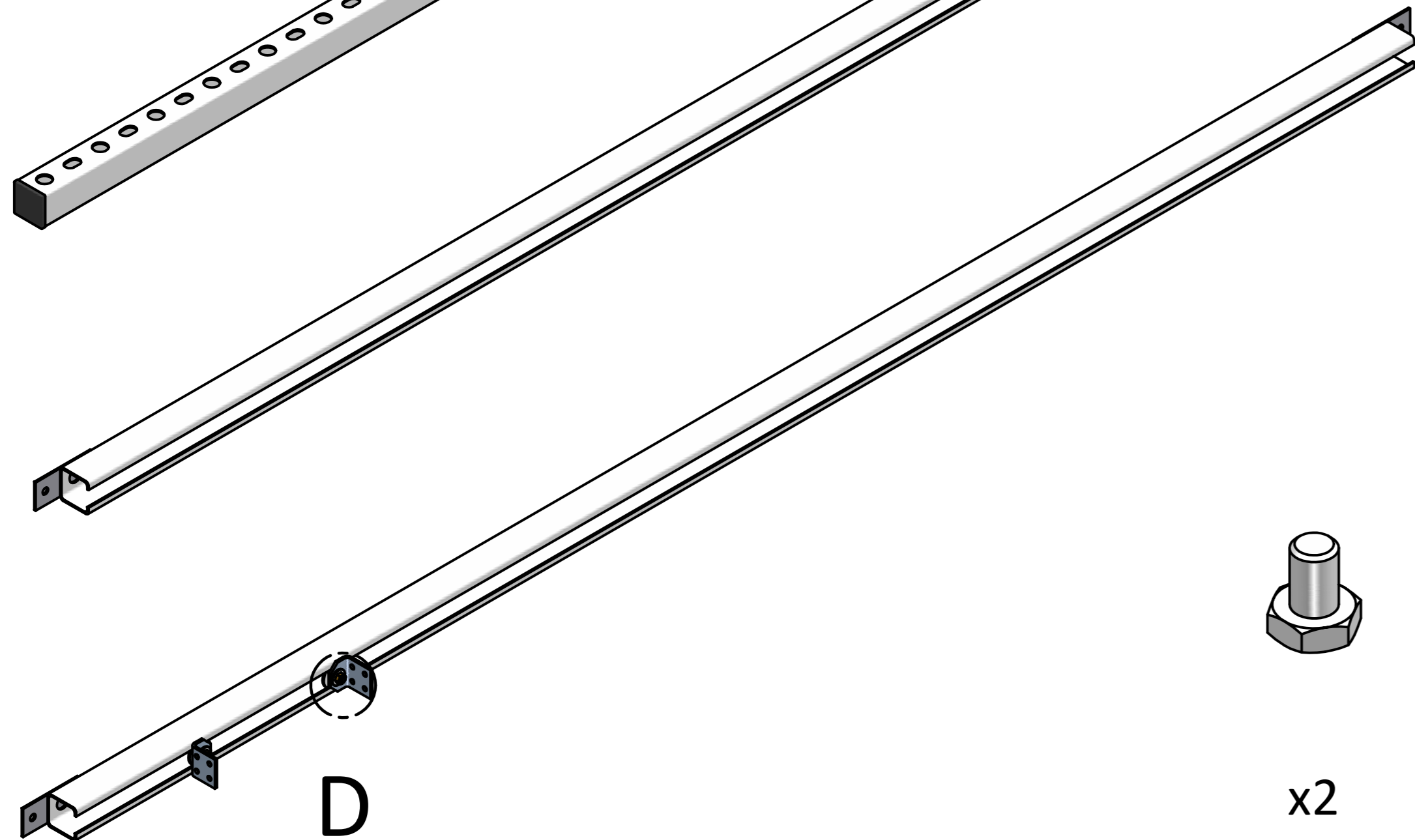
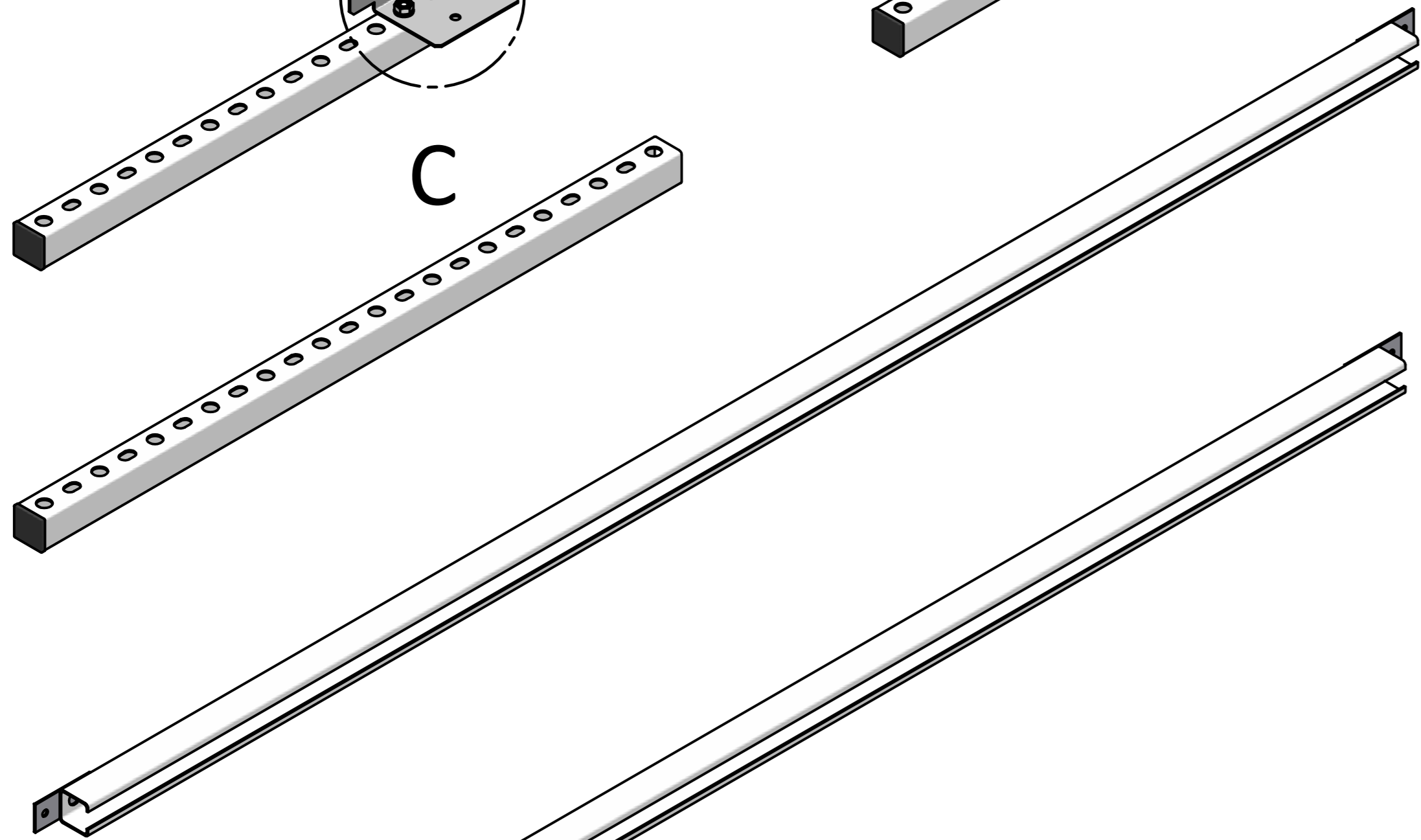
B



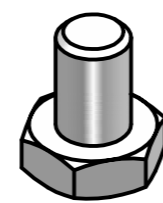
C



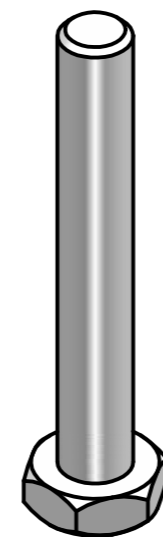
D



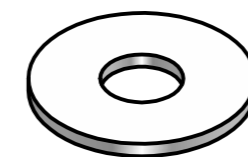
D



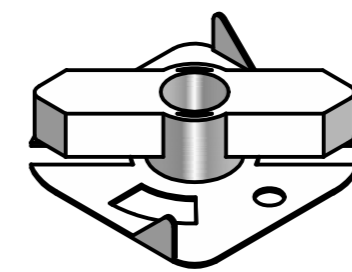
x2



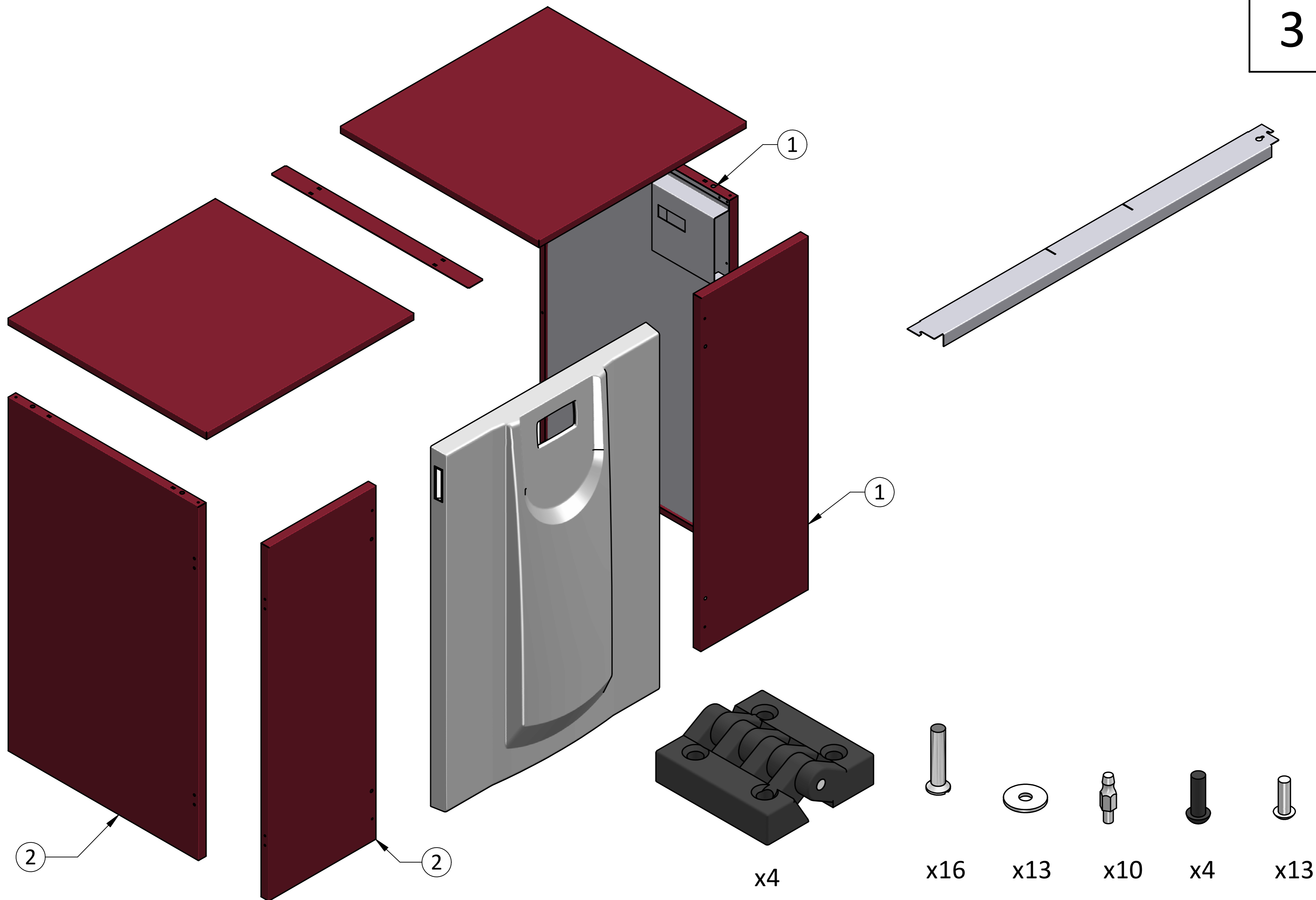
x4

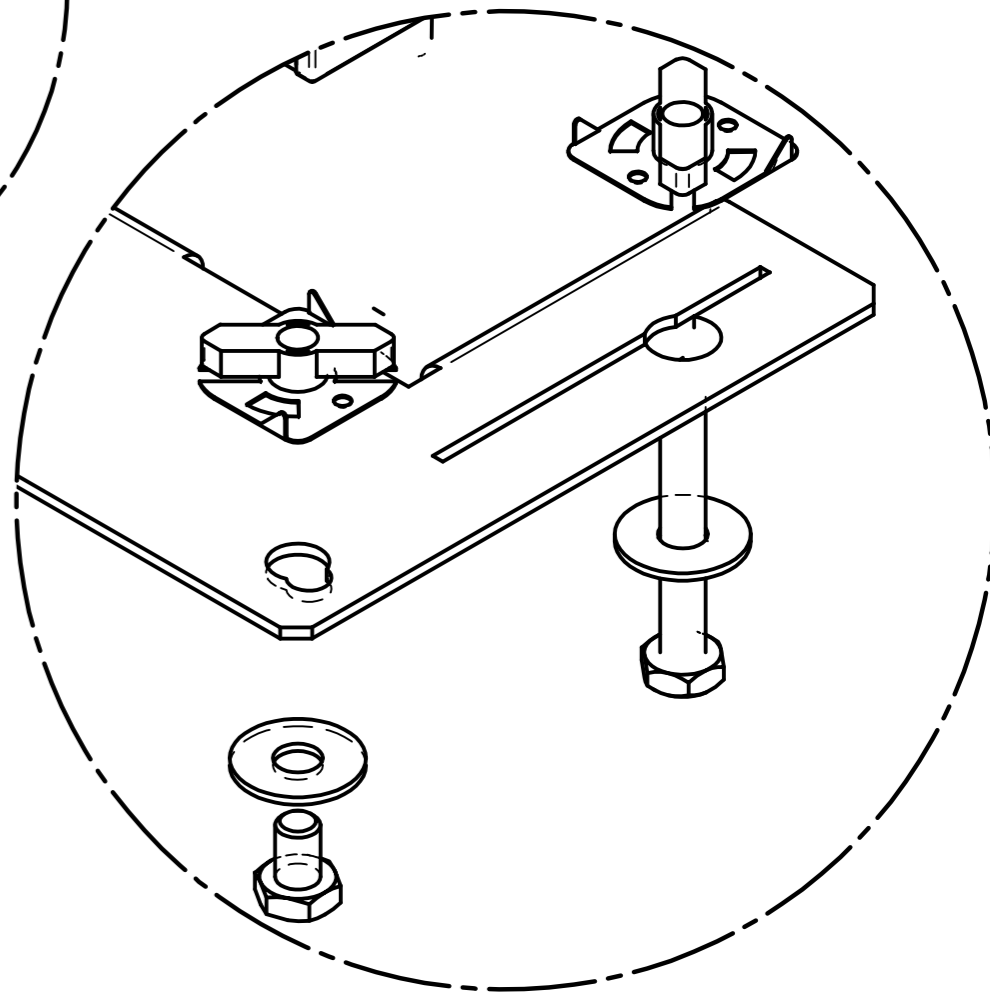
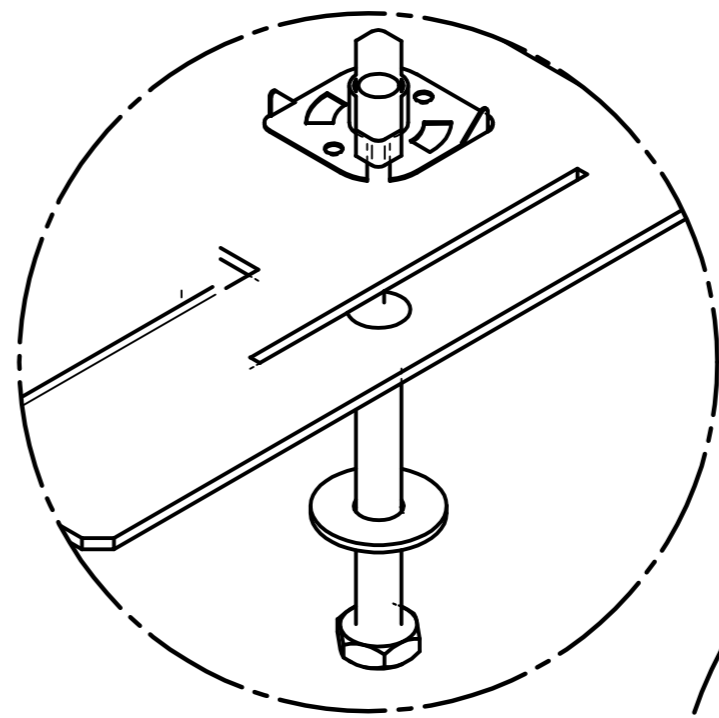
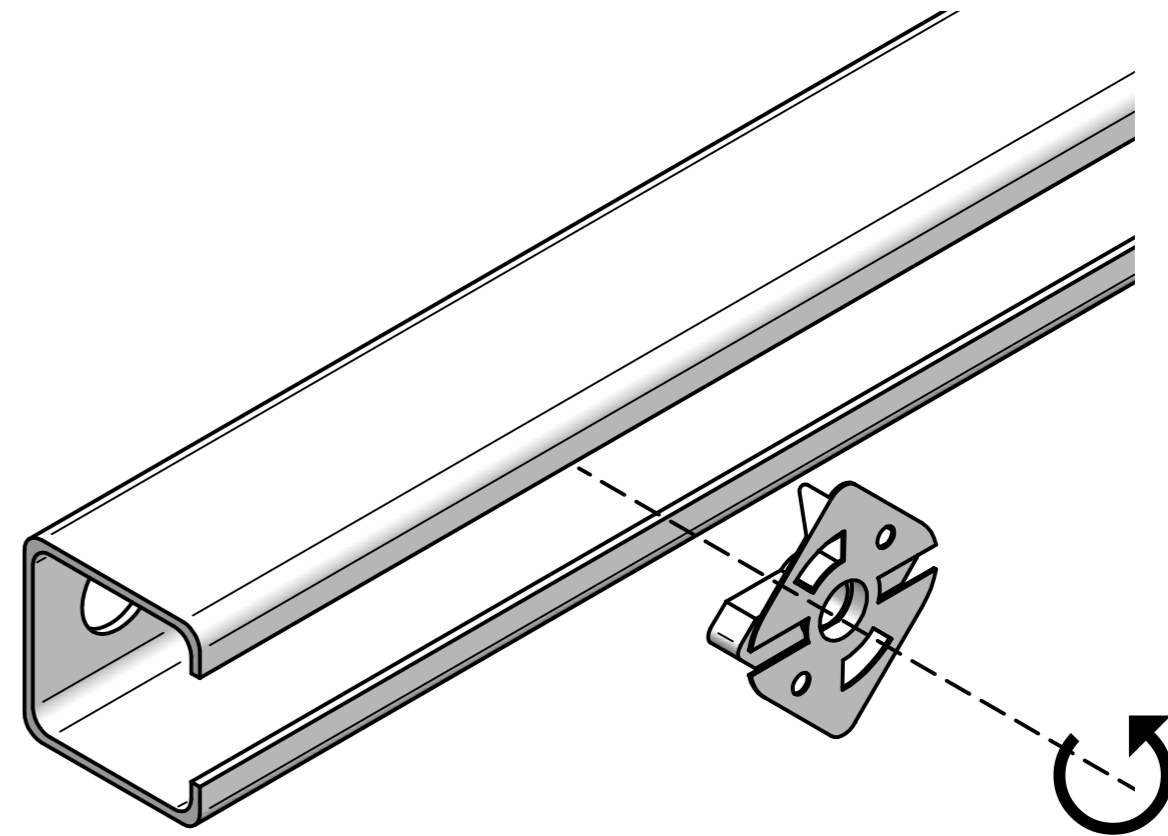
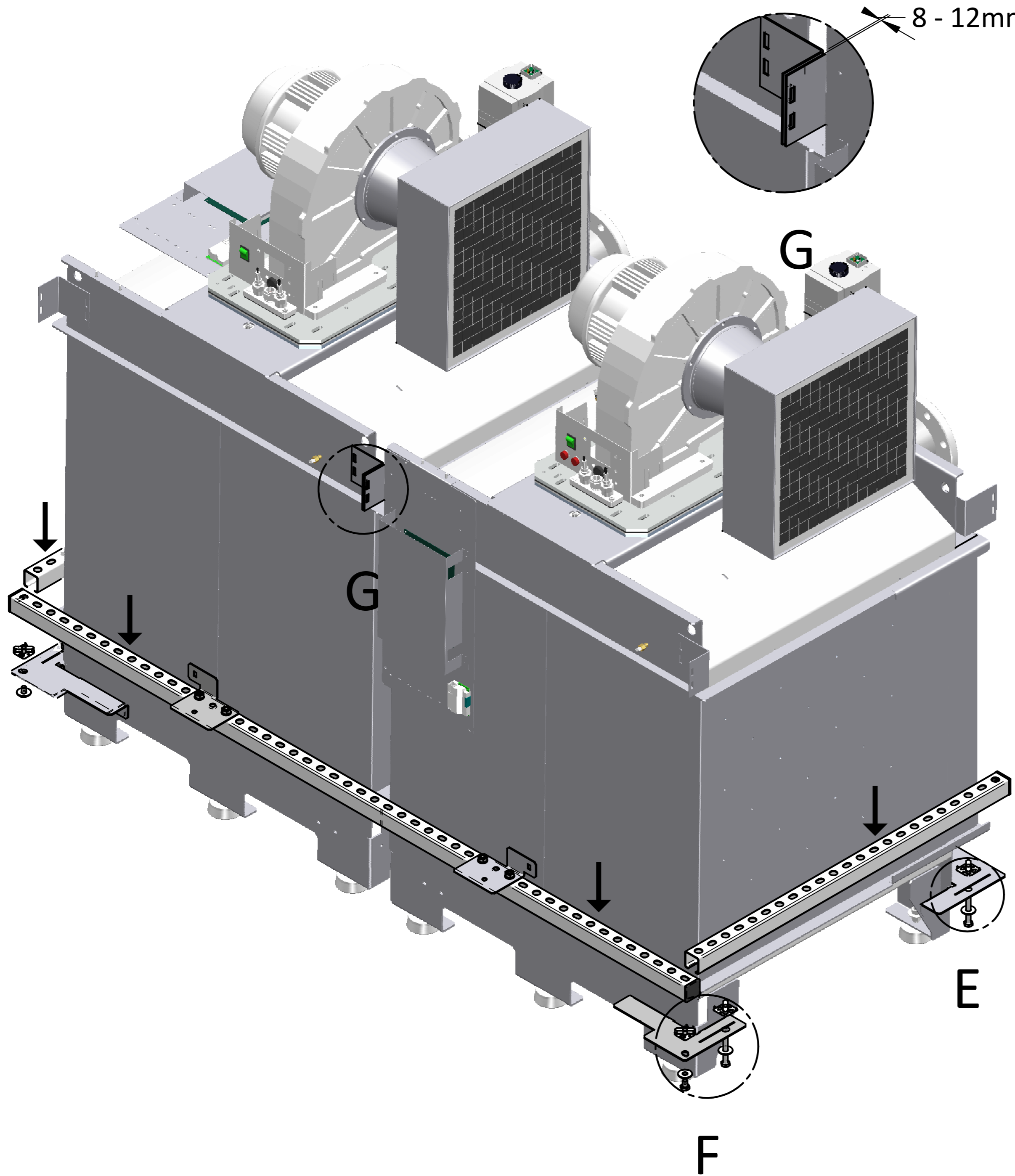


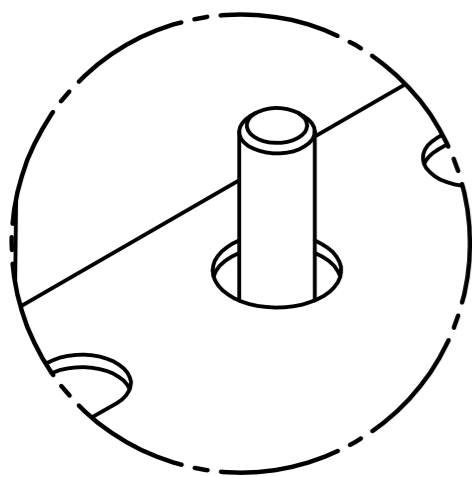
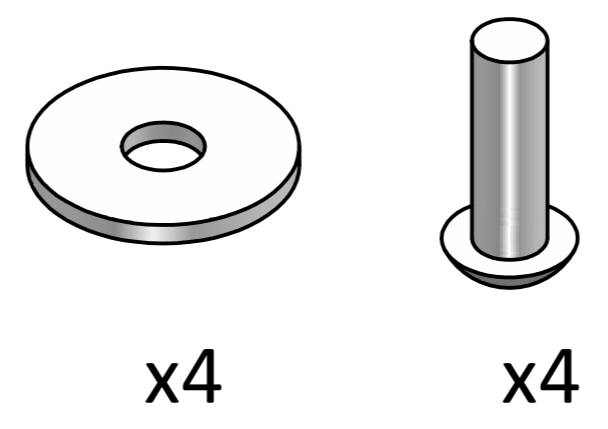
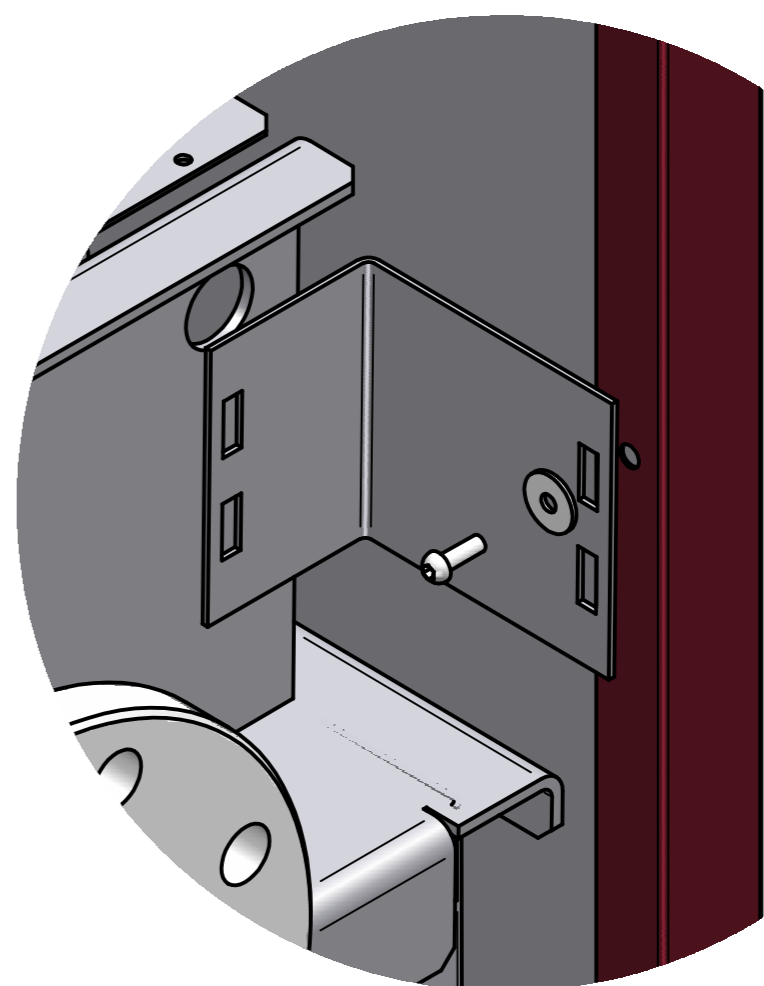
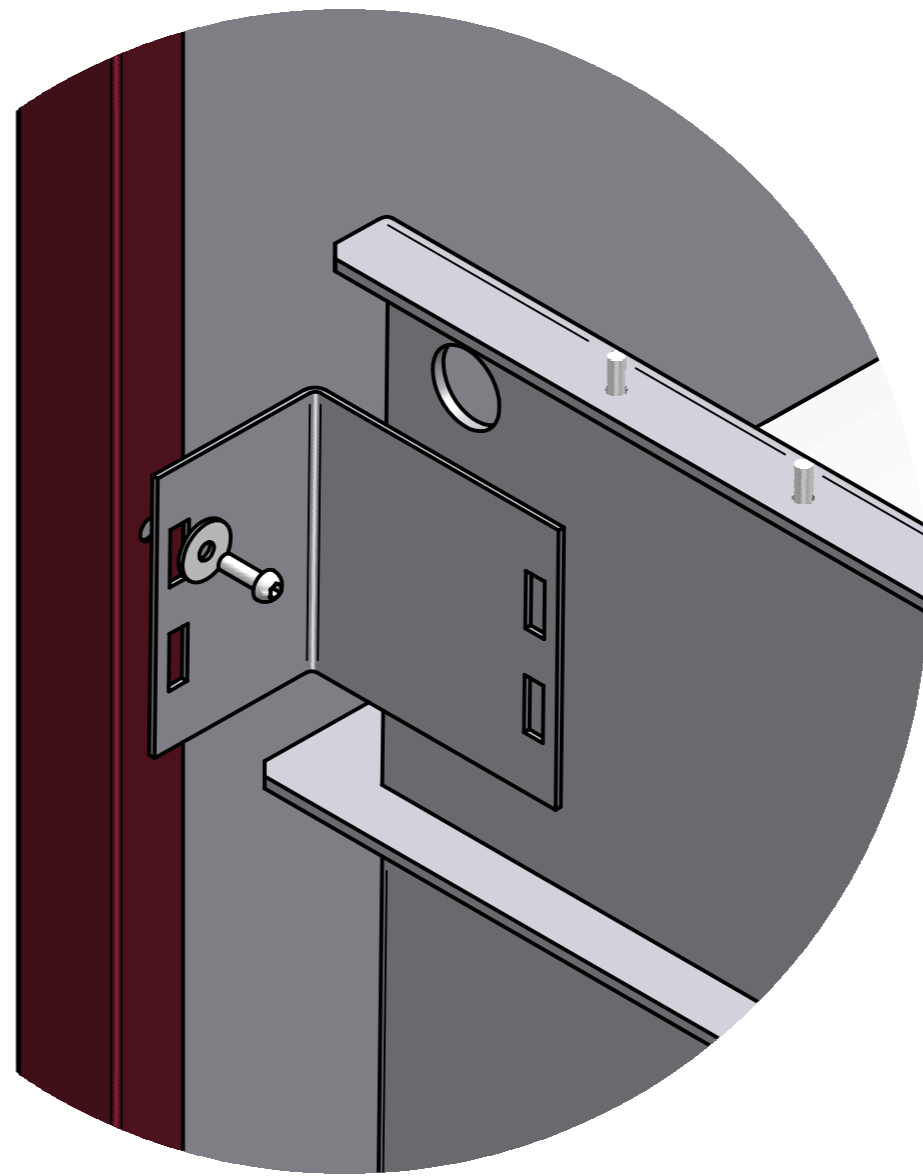
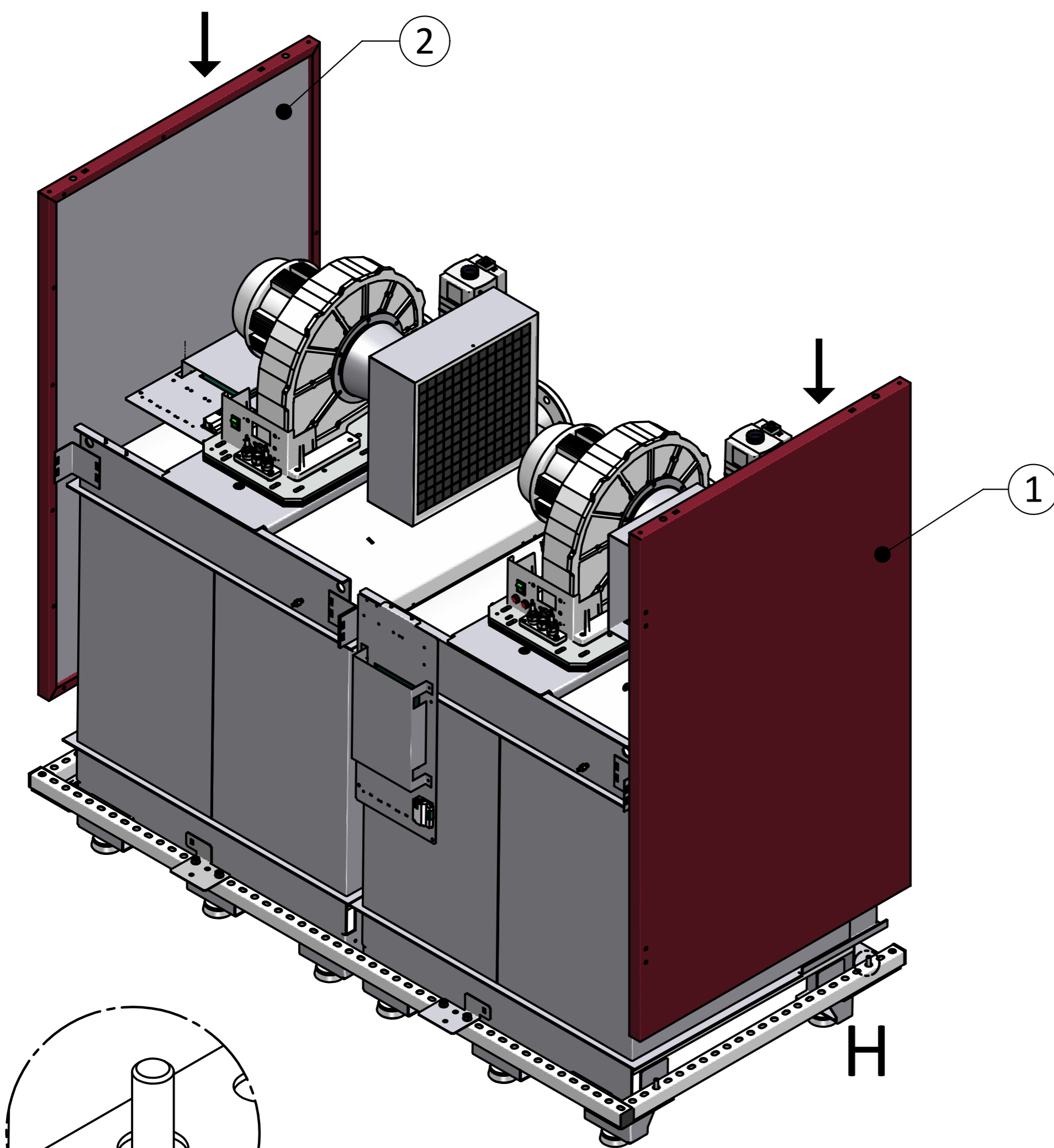
x6



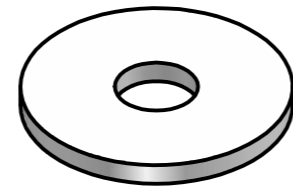
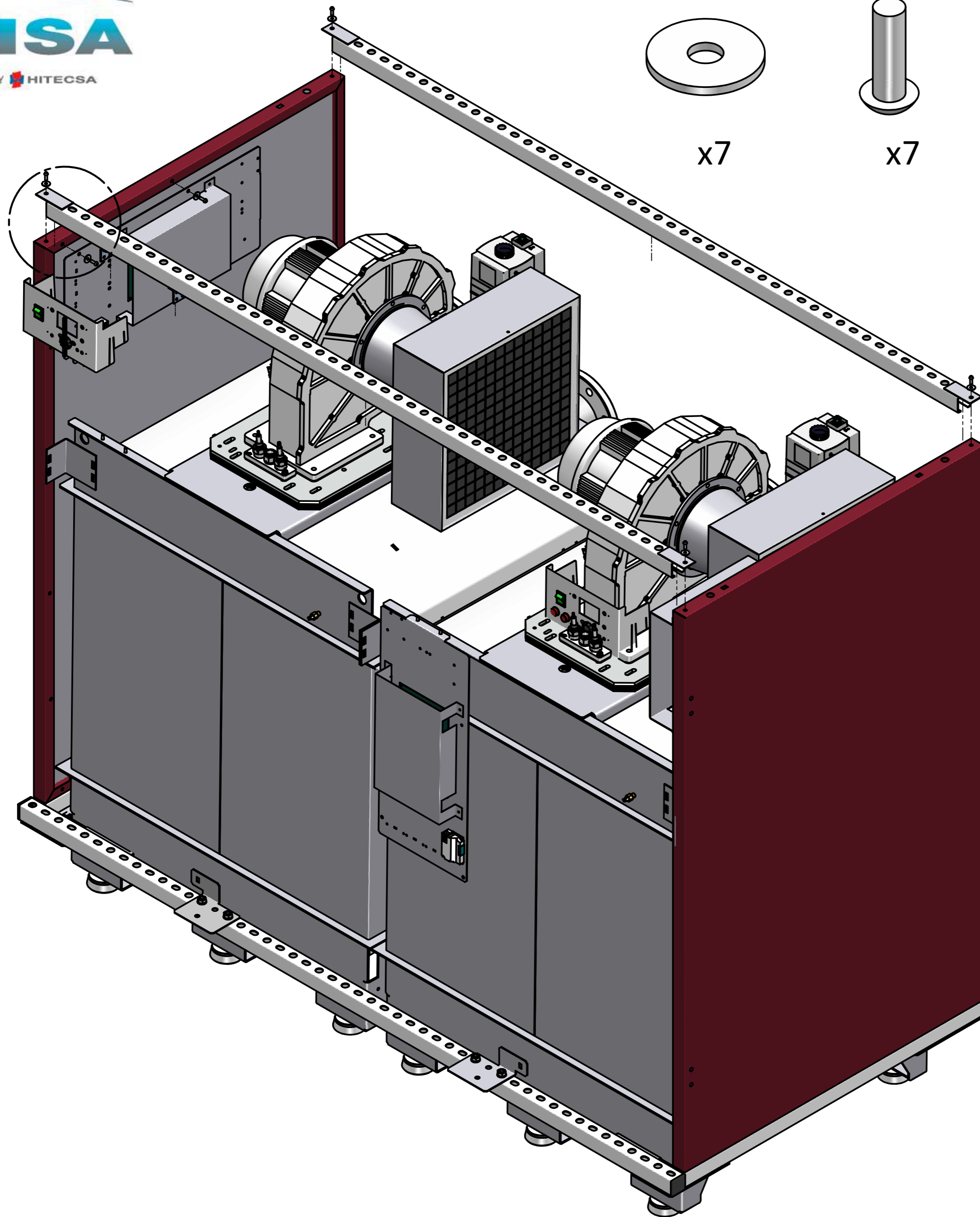
x6



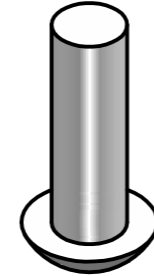




H



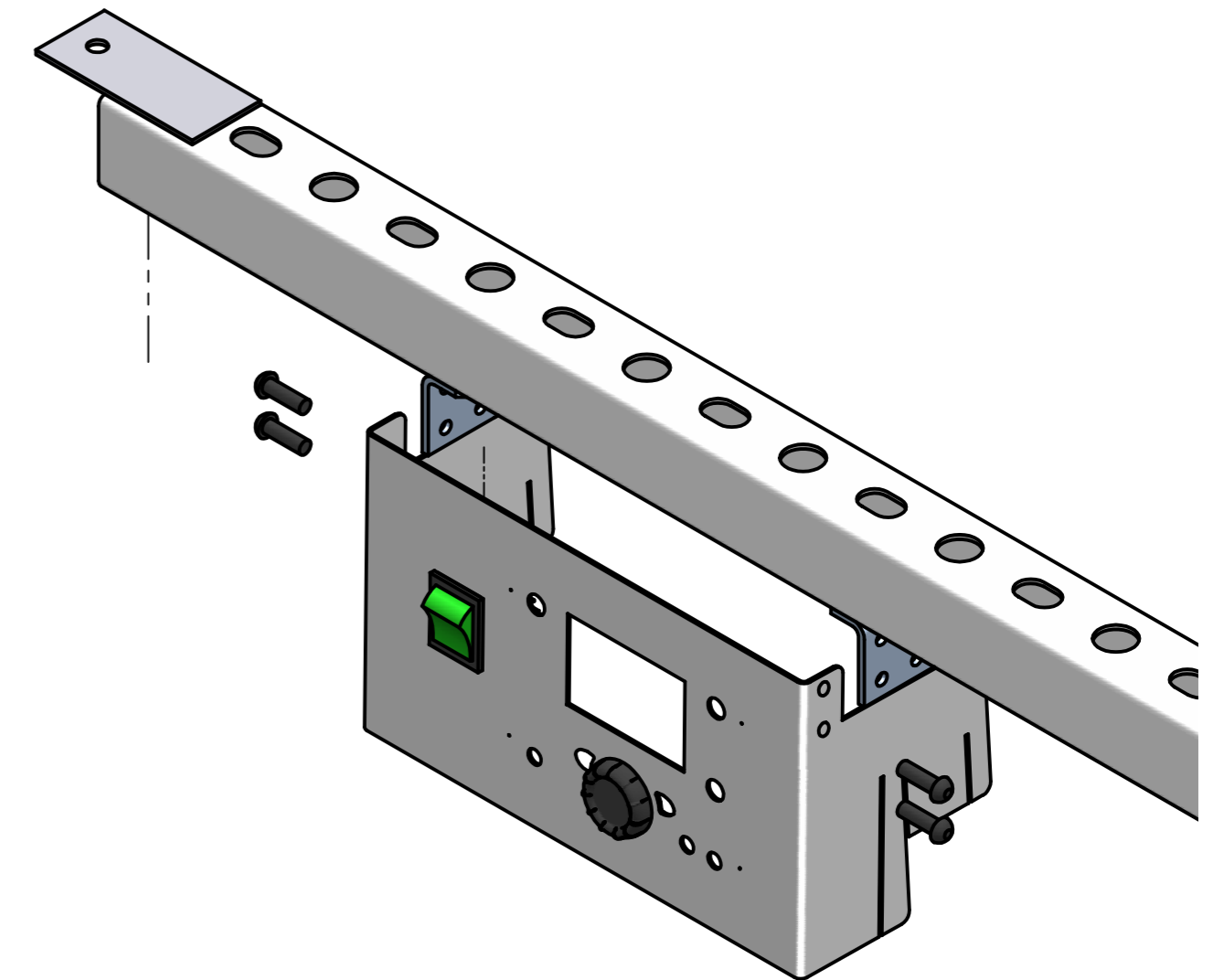
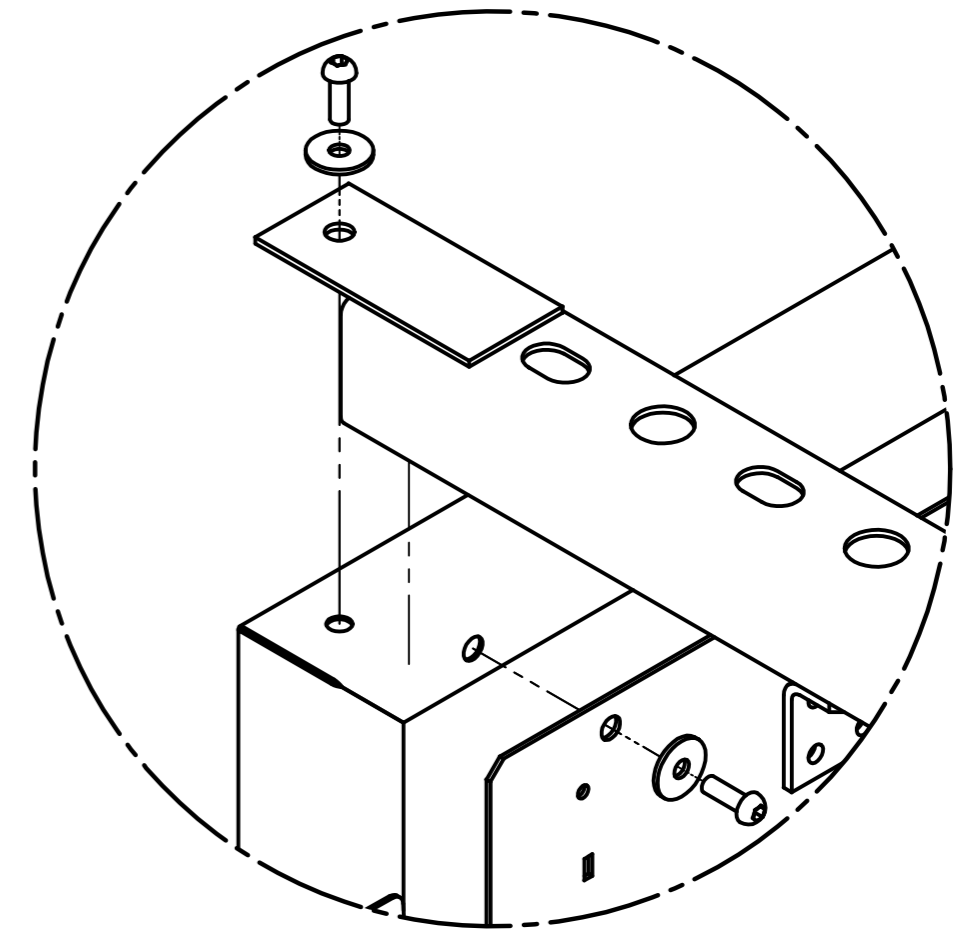
x7

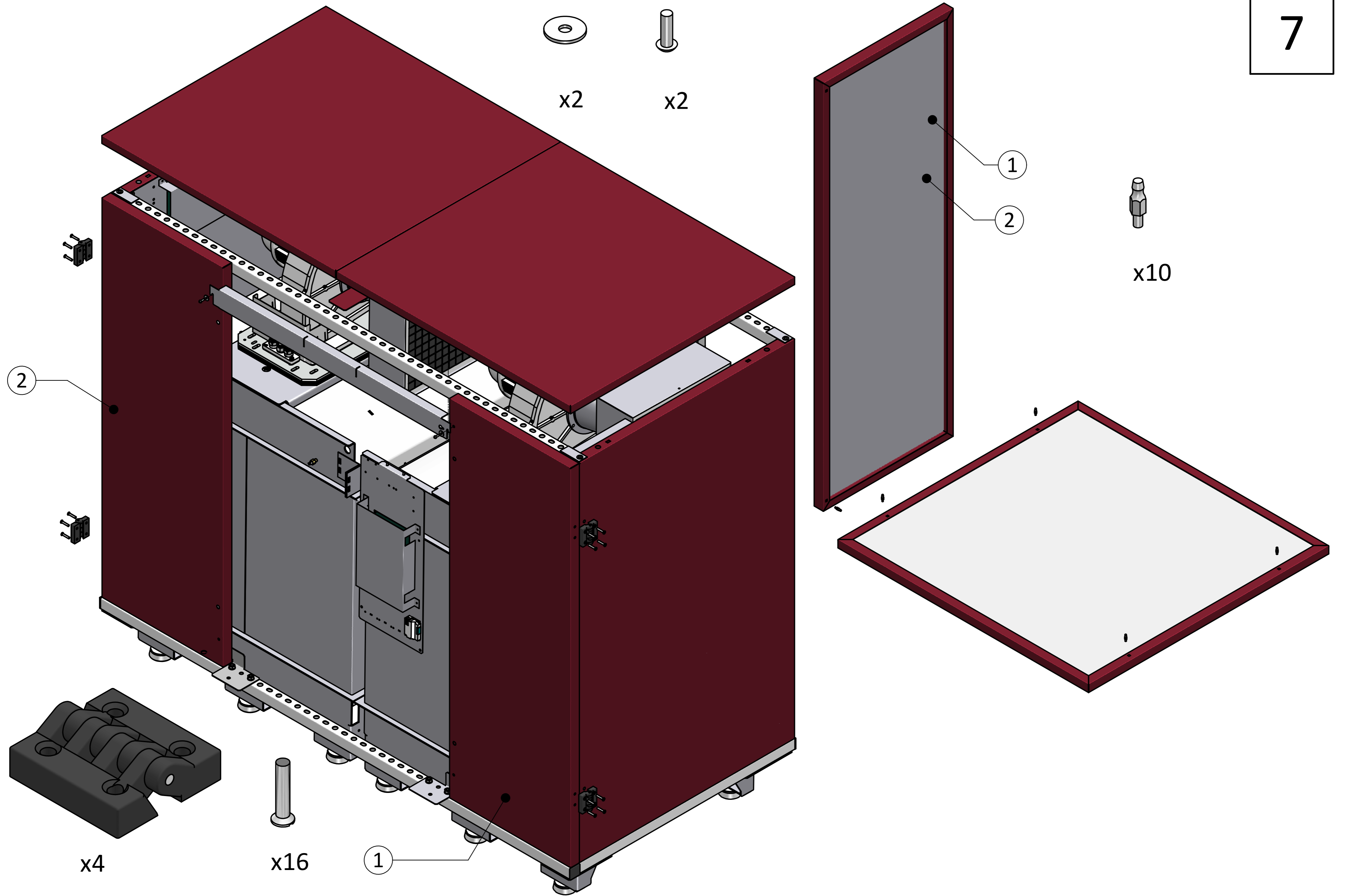


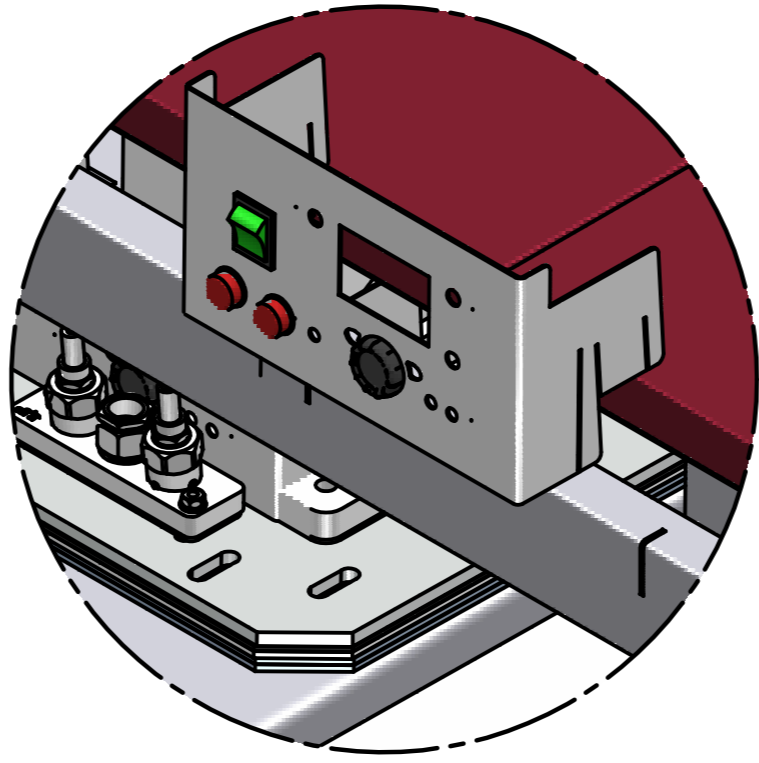
x7



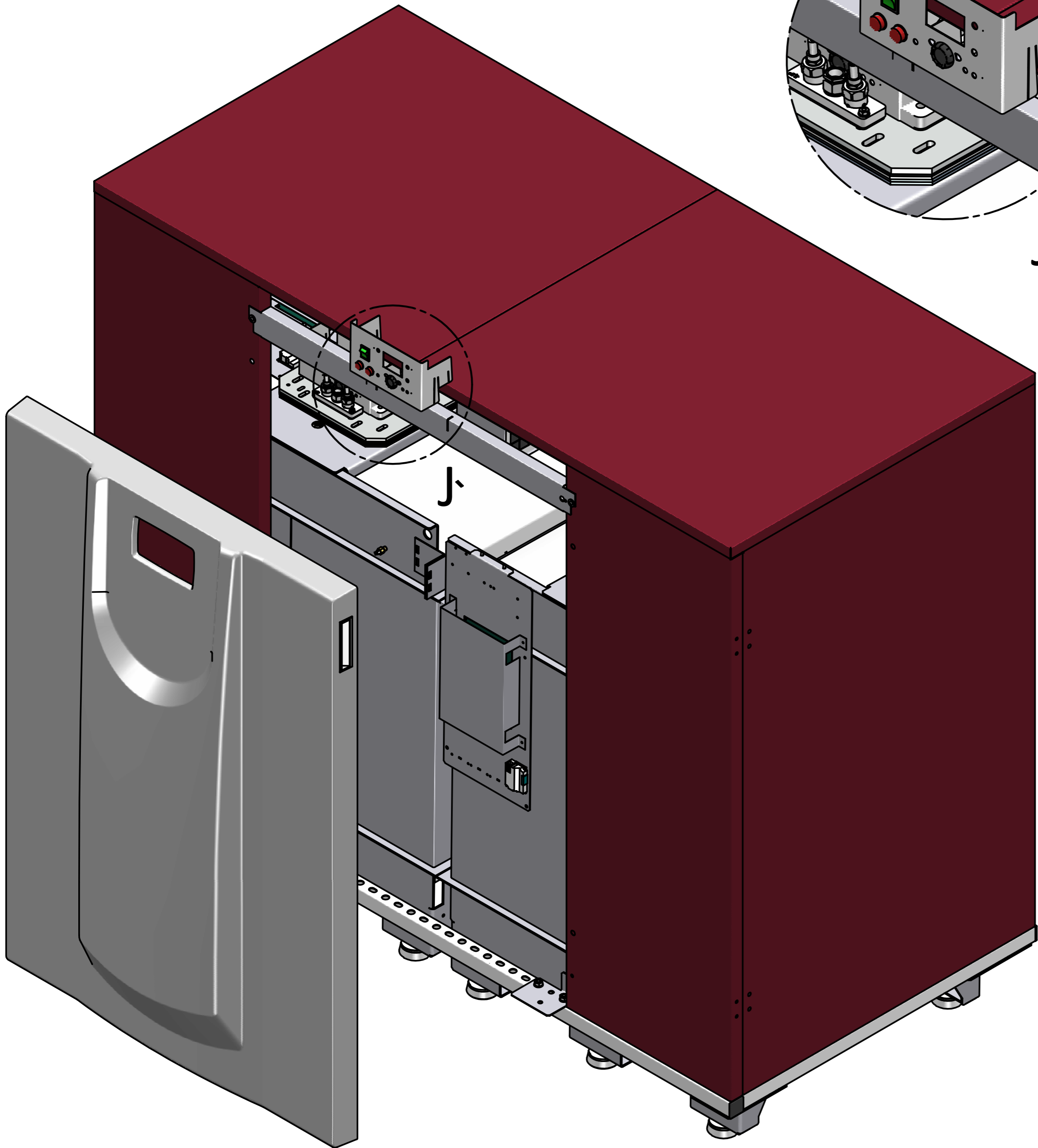
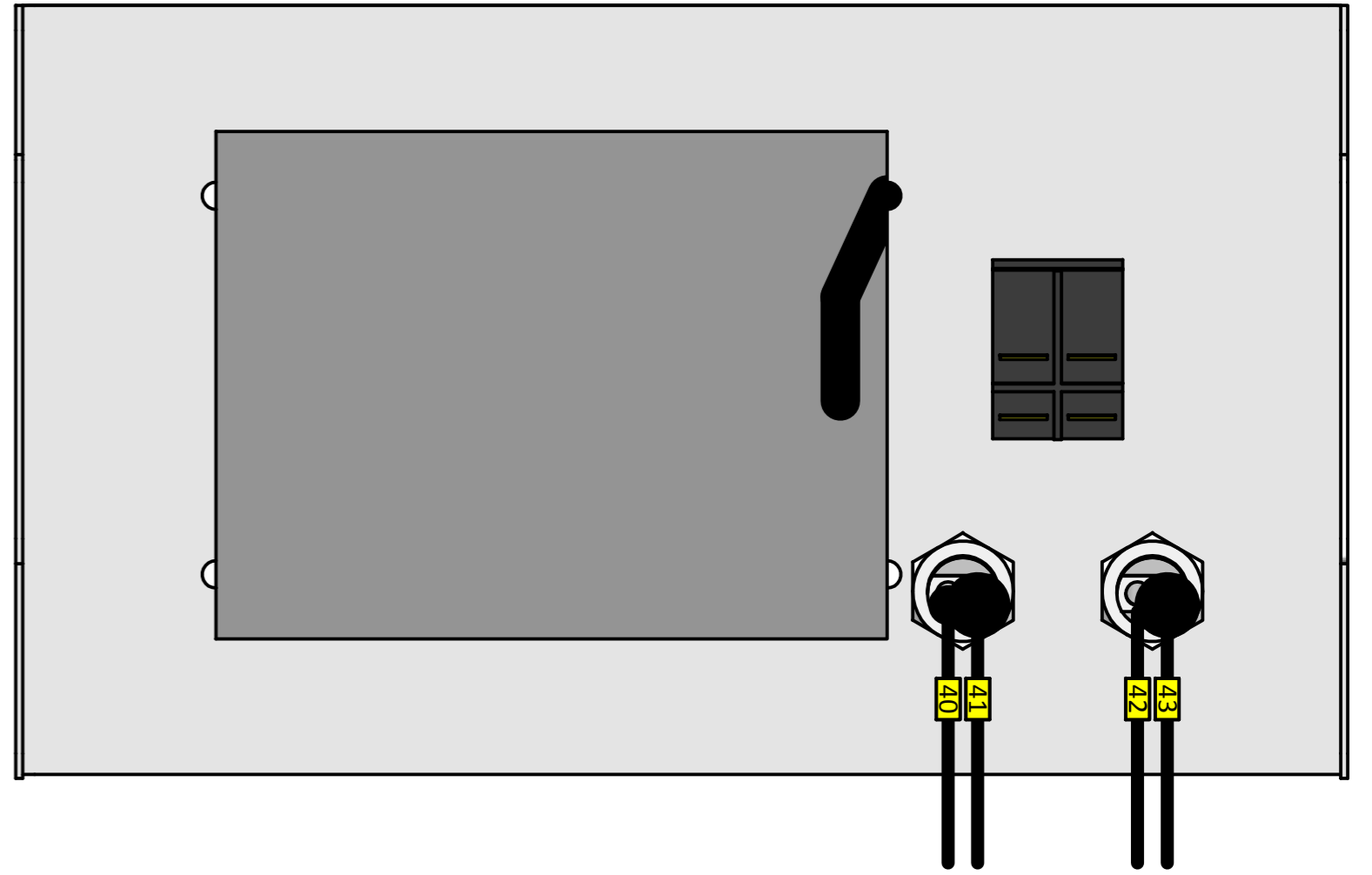
x4







J



J

